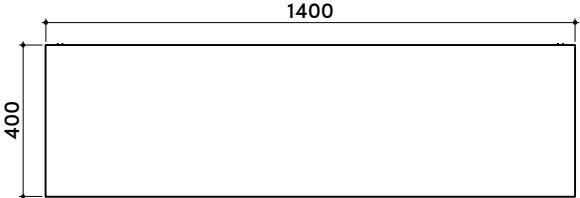
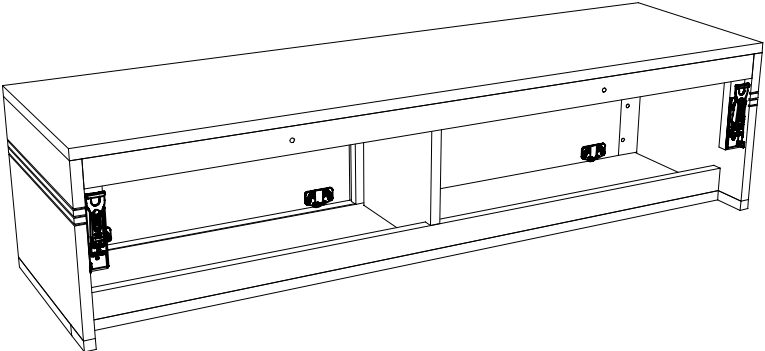
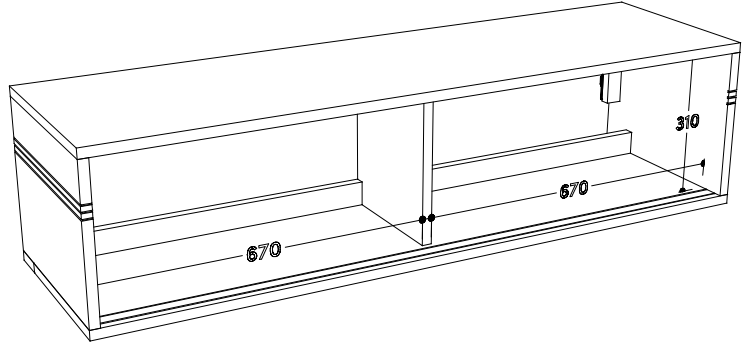
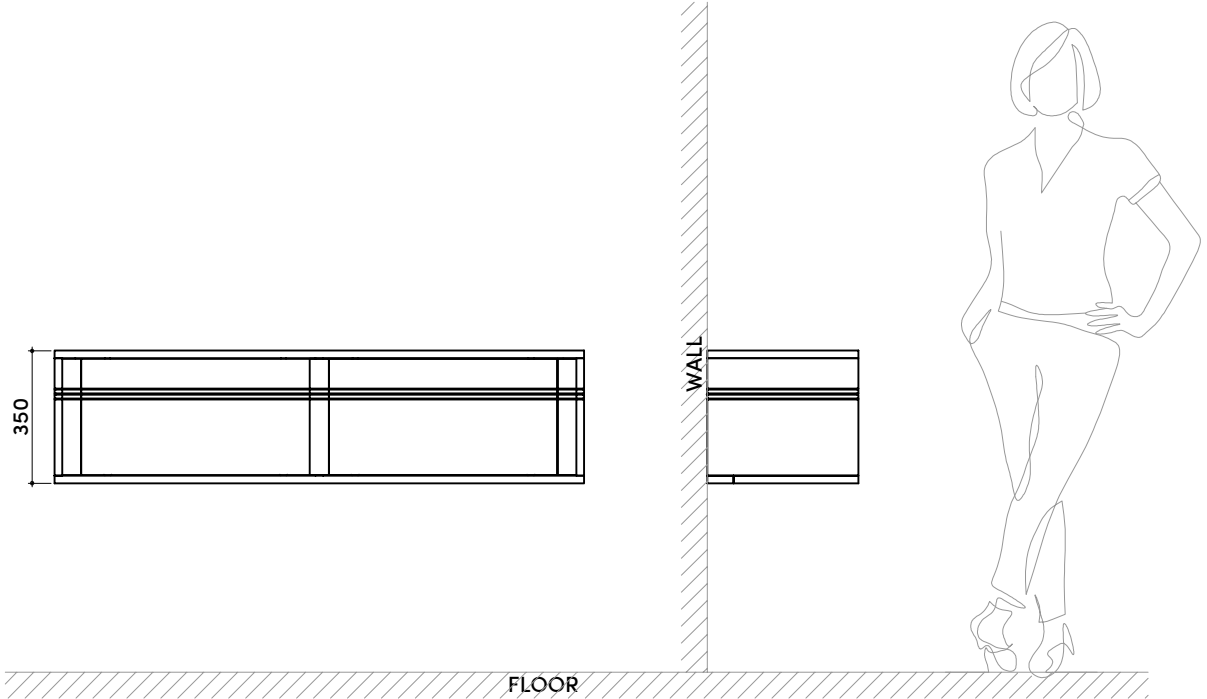
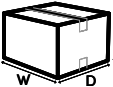


# tikamoon



BS02\_4



W x D x H (mm)  
1497 x 504 x 455