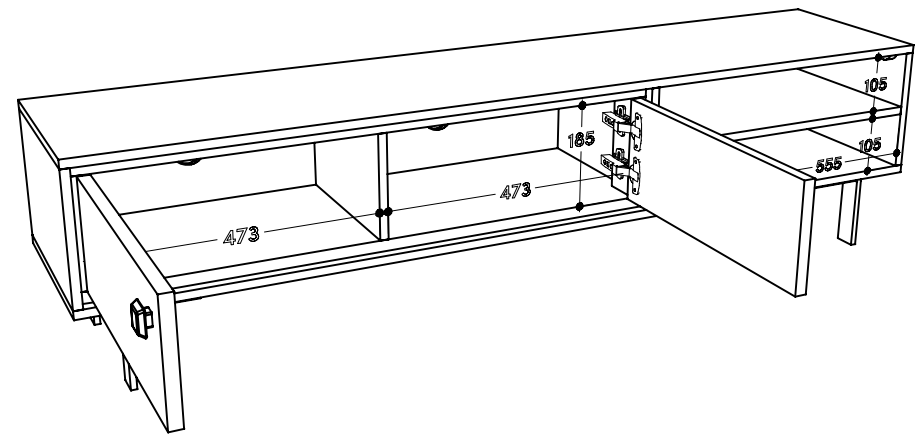
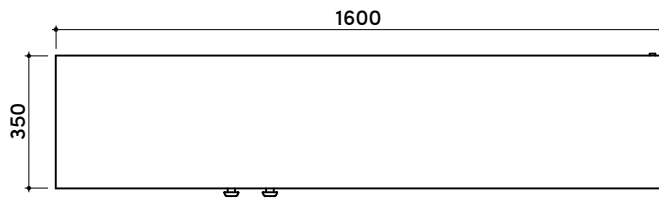
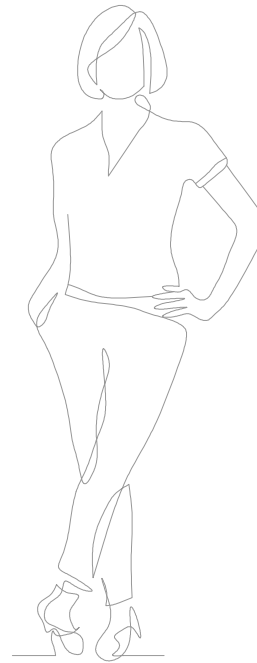
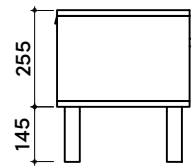
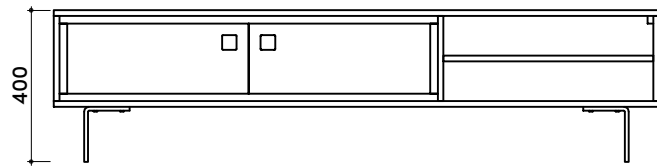
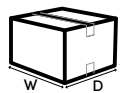


# tikamoon



TEM02



H W x D x H (mm)  
1700 x 350 x 450