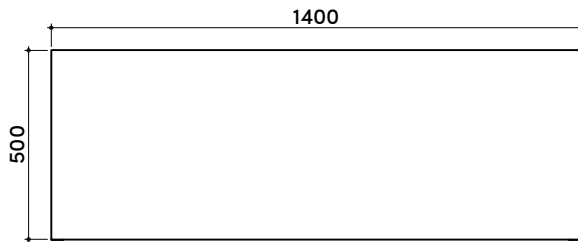
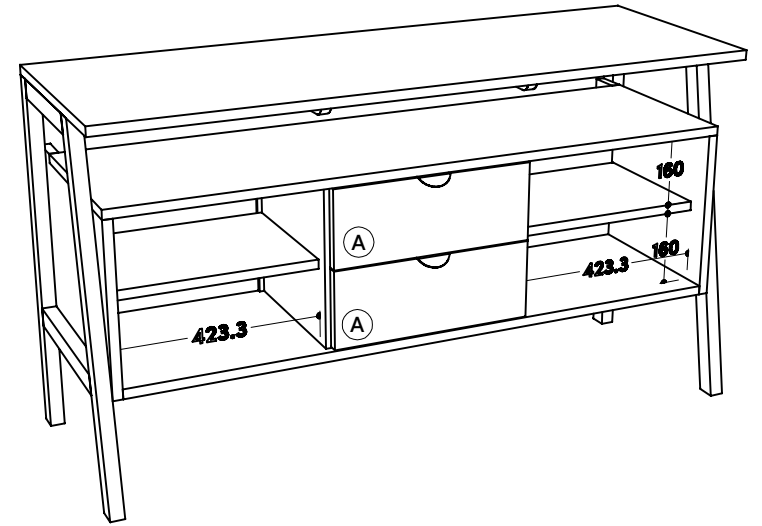
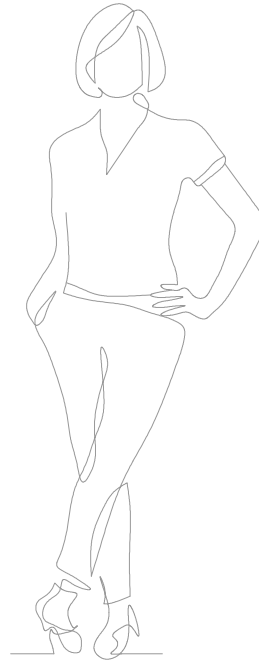
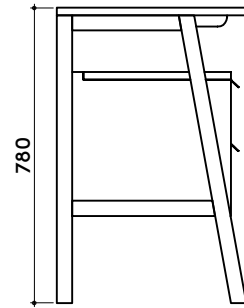
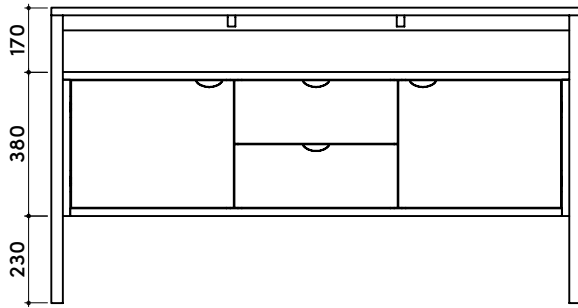
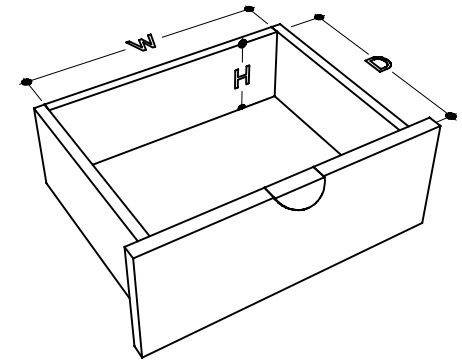


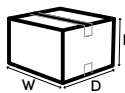
# tikamoon



W x D x H  
Ⓐ 360 x 285 x 115 mm



ACH2



$W \times D \times H$  (mm)  
1530 x 610 x 870