





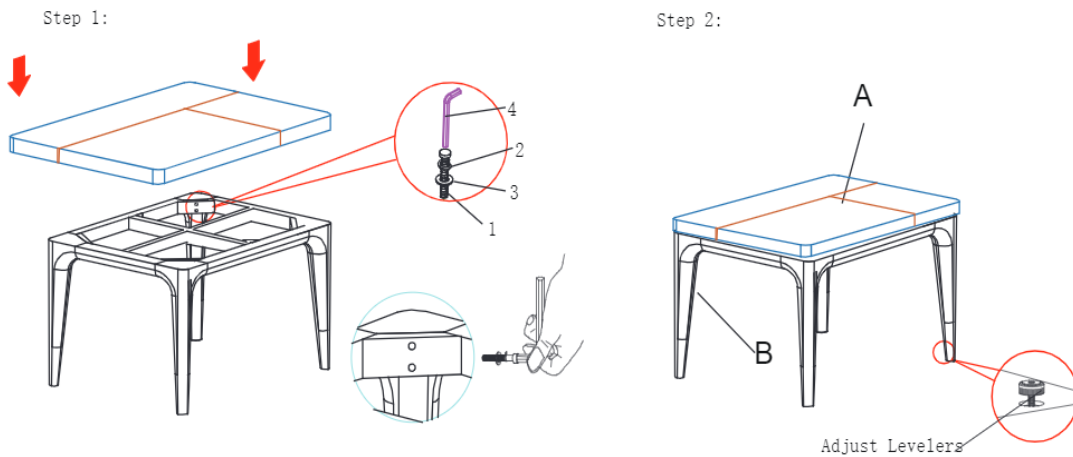
PARTS INCLUDED

- A [1] MARBLE TOP
- B [4] TABLE LEGS

NO.	ITEM	DESCRIPTION	QTY.
1		Hex Socket Bolt (M6 x 65mm)	8 pcs.
2		Spring Washer (8 mm)	8 pcs.
3		Flat Washer (8 x 22mm)	8 pcs.
4		Allen Key	1 pc.

ASSEMBLY INSTRUCTIONS

1. Place marble top (A) on a flat floor covered with a protective material to prevent damage to the tabletop. Place base (B) onto marble top. Secure using 40mm hex socket bolts (1), 10mm spring washers (2) and 22mm flat washers (3). Place all bolts in position first, then tighten with allen key (4).
2. Turn over the table. Assembly is completed.
3. Adjust levelers as necessary.



CARE INSTRUCTIONS

1. Keeping your marble top free of dust and dirt will minimize scratches and wear patterns that can develop from the everyday use.
2. Clean your marble top on a regular basis with warm water and a clean, non abrasive cloth, sponge, or mop. In addition, using a neutrcleaner specifically formulated for natural stone will help remove soils that normal dusting or damp mopping leave behind.
3. Do not use general purpose cleaners or you may damage your marble or the sealer applied. Do not use products that contain

IMPORTANT SAFETY INSTRUCTIONS

1. Exercise care and precaution when moving furniture as careless handling may cause injury and damage.
2. Never drag furniture. Always lift it.
3. Periodically check all fixtures to ensure none have come loose.
4. Retighten when necessary. Incorrect assembly of furniture can be dangerous.
5. Assembly should be carried out by competent personnel.
6. No liability will be accepted for damage or injury caused by incorrectly assembled furniture.
7. Heavy item warning.
8. Take care and seek assistance when lifting heavy furniture to avoid personal injury and/or damage to product.